

ZW8-12 Outdoor Vacuum Circuit Breaker

Summary

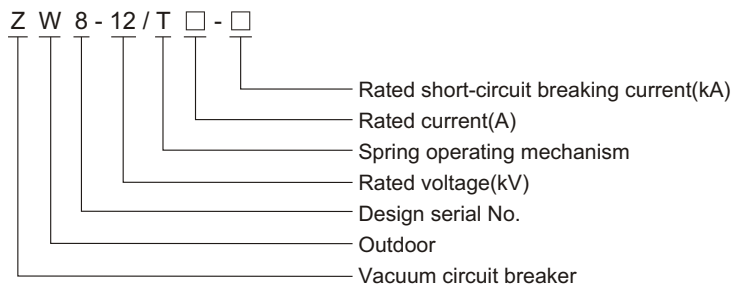
ZW8-12 model outdoor AC vacuum circuit breaker is used to make and break load current, overload current and short-circuit current in 12kV, 50/60Hz power system. Its applicable for substations, industry and mining, urban and rural electricity power networks, especially applicable in occasions with frequent operation and automatic power distribution network. It accords with the standards of IEC62271-100 & GB1984: AC high voltage circuit breaker, IEC60694 & GB/T11022: HV General technical requirement of switch and control apparatus.



Ambient condition

1. Altitude: $\leq 1000\text{m}$;
2. Ambient air temperature: $-35^{\circ}\text{C}\sim+40^{\circ}\text{C}$;
3. Wind speed: $\leq 34\text{m/s}$;
4. Earthquake intensity: 8 degree;
5. Relative humidity: monthly average $\leq 90\%$, daily average $\leq 95\%$;
6. Ice thickness: 10mm ;
7. Pollution degree: IV;
8. There will be have dew under the condition of high temperature low down hastily.

Model



Structure feature

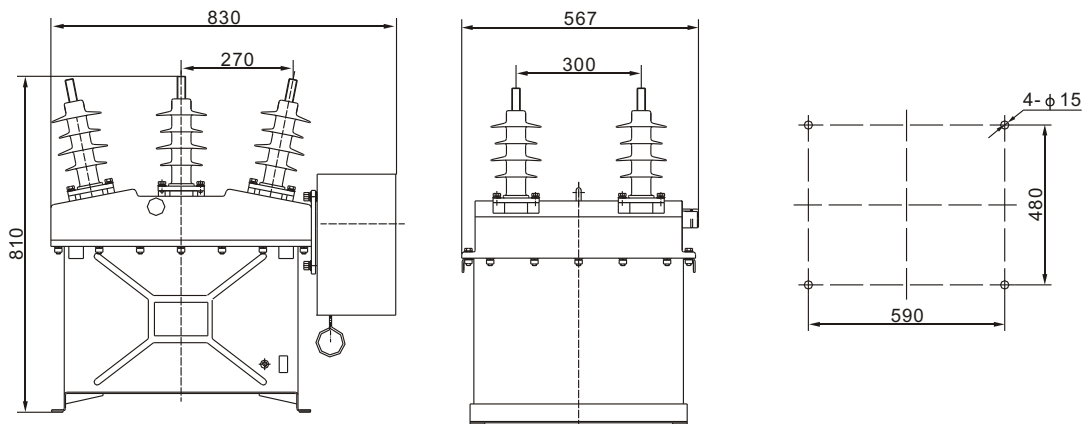
1. Vacuum arc extinguish.
2. Silicon rubber and plastic composite insulation.
3. It can be matched with controller as auto-recloser and auto-sectionalizer.

Technical specification

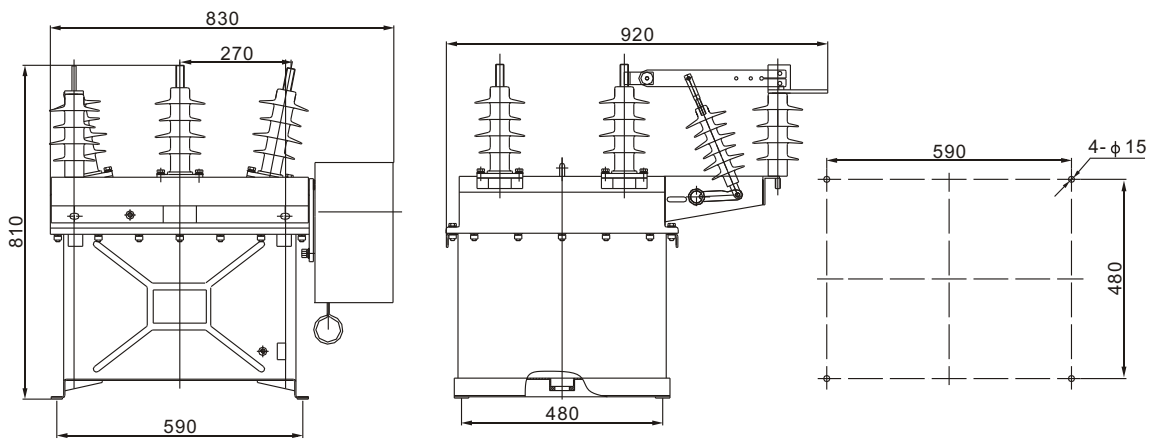
No.	Item	Unit	Data
1	Rated voltage	kV	12
2	1min P.F withstand voltage-dry	kV	42
3	1min P.F withstand voltage-wet(phase to earth, outer insulate)	kV	34
4	Lightning impulse withstand voltage(peak)	kV	75
5	Rated current	A	630
6	Rated power frequency	Hz	50/60
7	Rated short-circuit breaking current	kA	12.5,16,20
8	Rated operating sequence		O-0.3s-CO-180s-CO
9	Rated short-circuit breaking time	Times	30

No.	Item	Unit	Data
10	Rated short-circuit making current(peak)	kA	31.5,40,50
11	Rated withstand current(peak)	kA	31.5,40,50
12	Rated short-time withstand current(4s)	kA	12.5,16,20
13	Rated short-circuit duration	s	4
14	Mechanical life	Times	10000
15	Rated operating voltage and rated voltage of auxiliary loop	V	220
16	Rated current of over-current tripper	A	5

Structure feature



ZW8 vacuum circuit breaker



ZW8 vacuum circuit breaker with disconnect switch