

KYH3-12S Removable AC Double-Busbar Metal-clad Switchgear

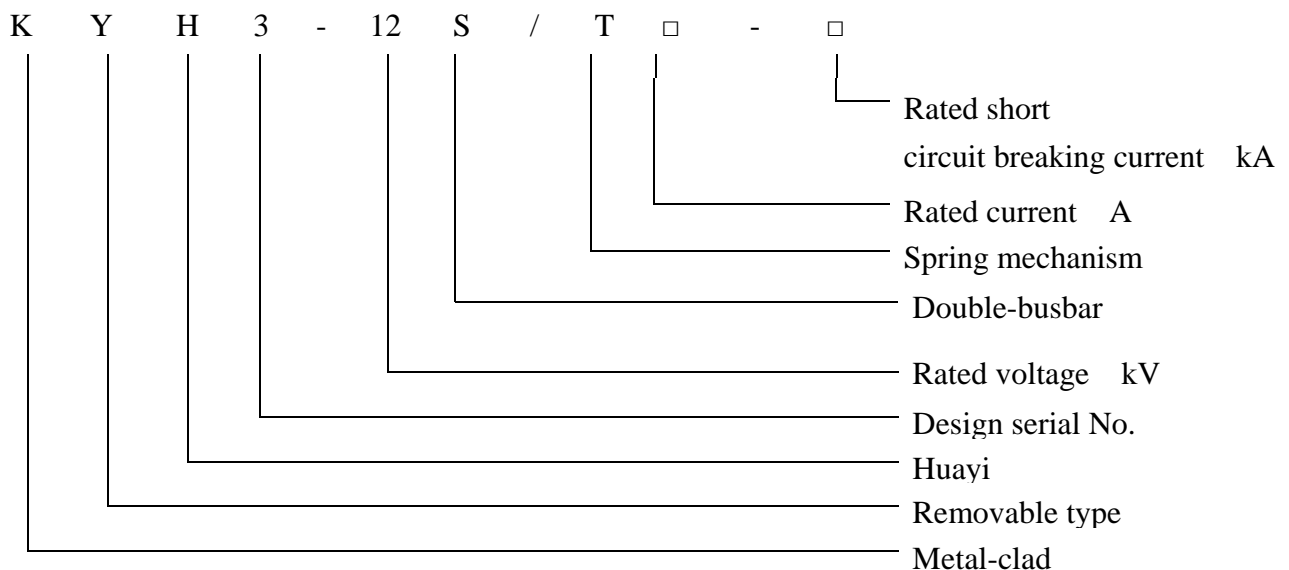
Summary

KYH3-12s removable ac double-busbar metal-clad switchgear (switchgear for short hereunder) apply to 3.6kV~12 kV three-phase AC 50Hz power system, as a control and protection device of the load of the dual power radiation type electric supply system and use cables, overhead lines, transformers and capacitors as load. The switchgear conforms to GB3906、 IEC60694, and with perfect and reliable anti misoperation function.

Ambient Condition

- 1 Environmental air temperature: $-15^{\circ}\text{C} \sim +40^{\circ}\text{C}$; and the average value measured in 24h is not more than 35°C ;
- 2 Altitude $\leq 1000\text{m}$;
- 3 Relative humidity: daily average value $\leq 95\%$, monthly average value $\leq 90\%$;
- 4 The average value of water vapor pressure measured in 24h is not more than 2.2kPa, and the average monthly water vapor pressure is not more than 1.8kPa;
- 5 The earthquake intensity is not exceeding 8 degree;
- 6 Installation site: without fire risk, explosion hazard, heavy pollution, chemical corrosion and violent vibration.

Model



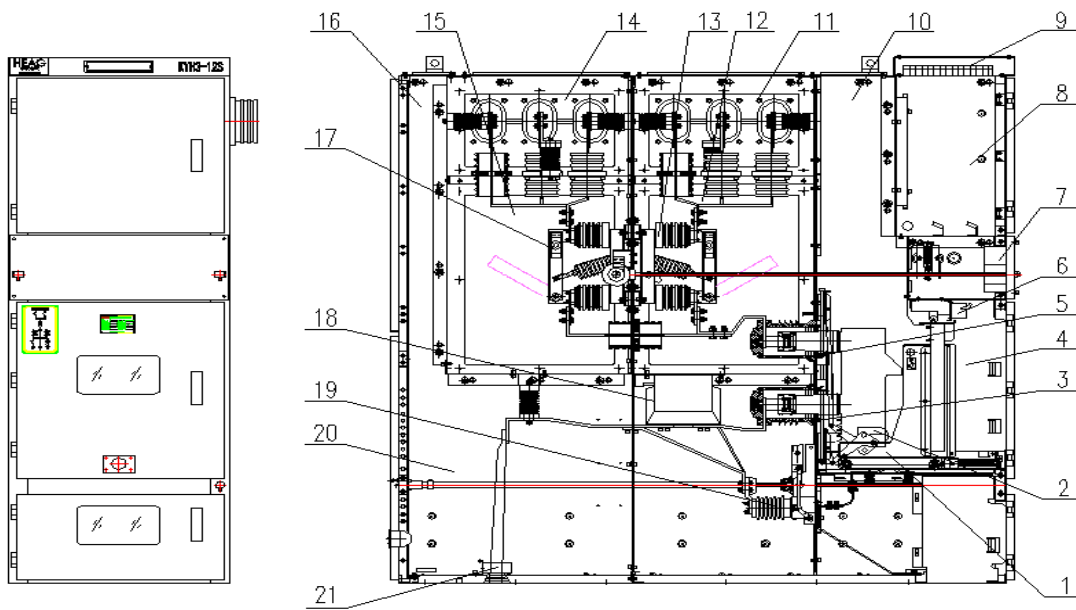
Technical Parameters

No.	Item		Unit	Data
1	Rated voltage		kV	12
2	Rated current		A	1250
3	Rated frequency		Hz	50
4	Rated peak withstand current		kA	80
5	Rated short-time withstand current		kA	31.5
6	Duration of rated short circuit withstand current		s	4
7	Rated short circuit breaking current		kA	31.5
8	Rated short circuit making current		kA	80
9	Rated insulation level	1min P.F. Withstand	kV	phase to phase, phase to ground / isolating fracture: 42/49
		lightning impulse withstand voltage		phase to phase, phase to ground / isolating fracture: 75/85
10	Voltage of subsidiary control circuit	rated voltage	V	DC: 220/110, AC: 220/110
		1min P.F. Withstand	V	2000
11	Protection grade			Enclosure:IP4X; open door:IP2X
12	Outline dimension (W×D×H)		mm	800×2260×2300
13	Weight		kg	1000 ~1500

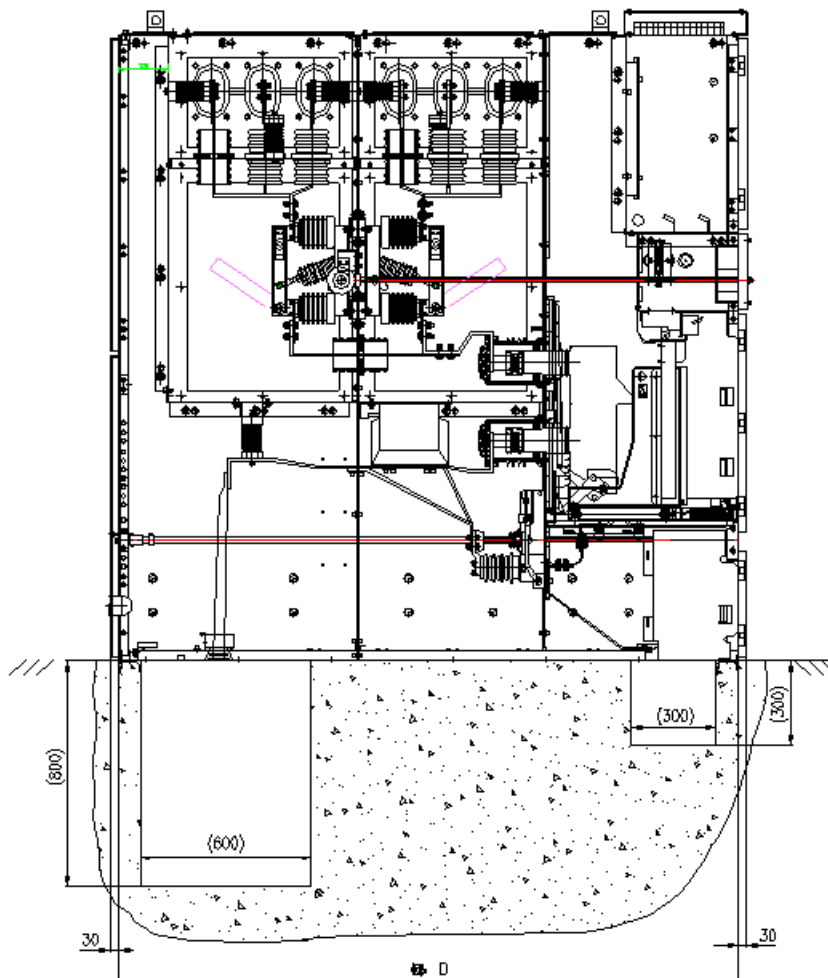
Main Feature

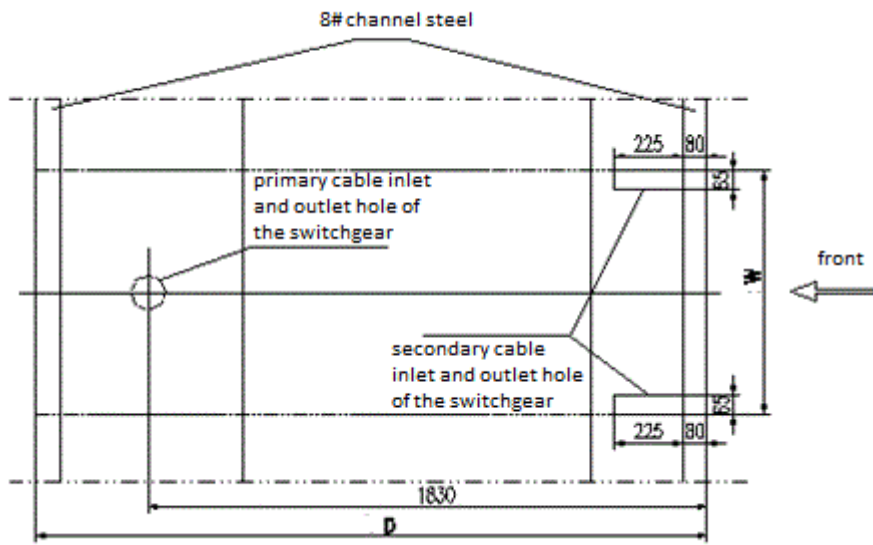
1. With the functions of distribution, metering, compensation, measurement and control, etc.;
2. Response timely and quickly, the compensation effect is good, reliable work, also can according to user s' requirements to add the leakage protector;
3. Automatic operation function: recloser;
4. Improve the power factor of the power grid.

Basic Structure



- 1. circuit breaker 2. flexible door mechanism 3. lower contact box 4. CB chamber
- 5. upper contact box 6. secondary air socket 7. isolation interlock chamber
- 8. meter chamber 9. small busbar chamber 10. pressure releasing pathway of CB chamber
- 11. busbar chamber 12. disconnecter chamber 13. disconnecter 14. busbar chamber
- 15. isolation chamber 16. pressure releasing pathway of cable chamber 17. disconnecter
- 18. current transformer 19. earthing switch 20. cable chamber 21. cable clamp





W	D	Note
800	2200	Cable inlet-outlet line
1000		
800	2400	Overhead inlet-outlet line
1000		