

## HYP-1000 Microcomputer Protection Relay

### Summary

HYP-1000 series is a kind of microcomputer monitor and control device which progressed by advanced technology, it is a special design of microcomputer monitor and control device for under 12kV power used of the area of electric power, traffic, petroleum, chemical industry and architecture and so on.

### Product feature

1. Dispersion series
2. Standard hardware
3. High dependability
4. Every element adopts the CMOS chip, it is considered as high anti-jamming capability and low error. The design of winding dispose, electromagnetism shield, hardware and software redundancy and transient control make the device have upwards capability.
5. Ultra-low power consumer device
6. It can be used in AC/DC 220V circuit, power consumer is 5W, AC voltage power consumer  $\leq 0.1VA$ , AC current power consumer  $\leq 0.25VA$ .
7. High performance/price ratio  
It can replace the traditional relay protection, decrease the time of secondary winding distribution and improve the dependability.



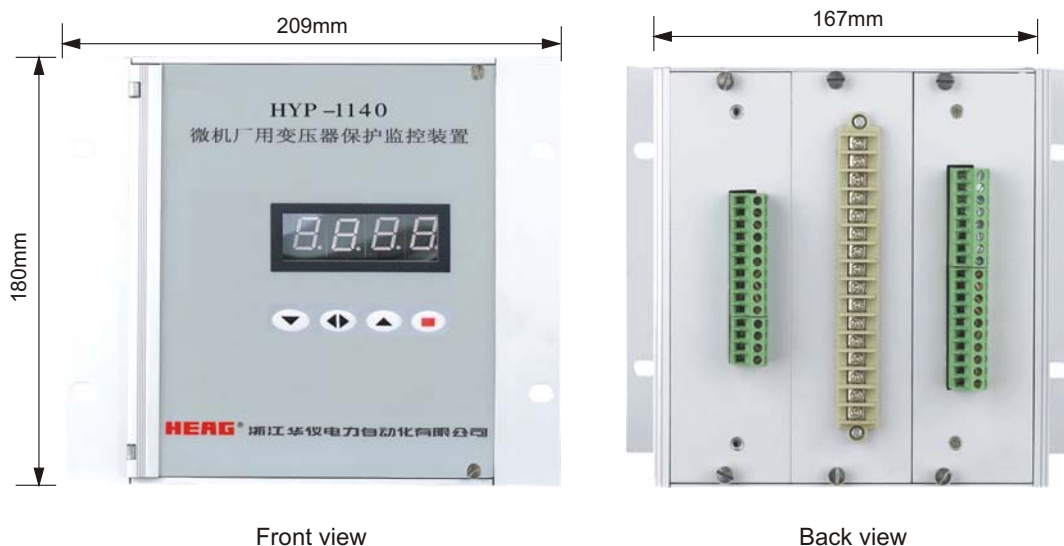
C

### HYP-1000 system classification

HYP-1000 Protection relay:

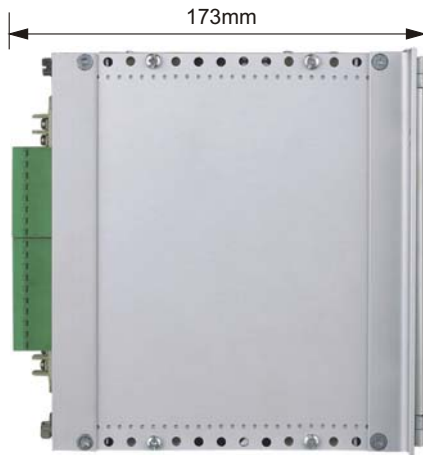
HYP-1011	Disperse microcomputer protection relay
HYP-1140	Microcomputer transformer protection relay
HYP-1210	Microcomputer capacitor protection relay
HYP-1410	Microcomputer motor protection relay
HYP-1610	Microcomputer feeder protection relay

### Outline dimension

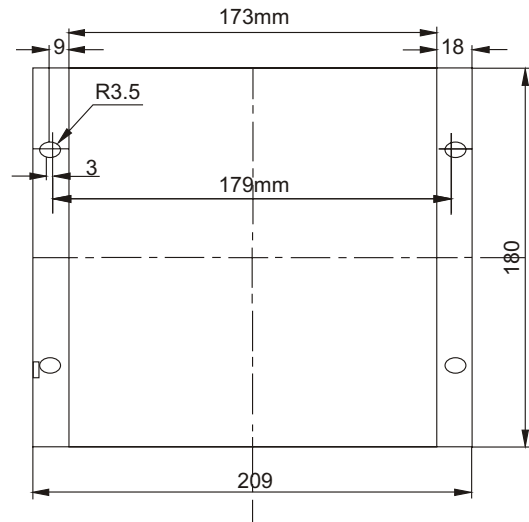


Front view

Back view



Side view



Hole diagram

Model Function	1011	1140	1210	1410	1610
Fast break protection		✓	✓	✓	✓
Delay fast break protection					✓
Over current protection		✓	✓		✓
Imbalance current protection (two group capacitor)			✓		
Imbalance current protection (two group capacitor)		✓			
LV side limited time (IDMT) zero sequence current (earthing) protection		✓			
Zero sequence current (earthing) protection					
Over current alarm		✓		✓	✓
Overheat (over load) protection				✓	
Imbalance (break and reverse phase) protection				✓	
Motor self startup control				✓	
Over time protection of startup				✓	
Stop and change protection				✓	
Differential protection				✓	
Over voltage protection		✓			
Low voltage protection		✓		✓	
Zero sequence voltage protection					
Heavy gas protection		✓	✓		
Light gas protection		✓	✓		
Transformer overheat alarm		✓	✓		
Three phase one time reclose					✓
Low frequency load reduce					✓
Interlock trip				✓	
Low voltage blocking protection					✓
Fuse alarm				✓	
PT short current alarm		✓	✓	✓	✓
Fault protection for protect fixed value		✓	✓	✓	✓
Fault alarm for device	✓	✓	✓	✓	✓