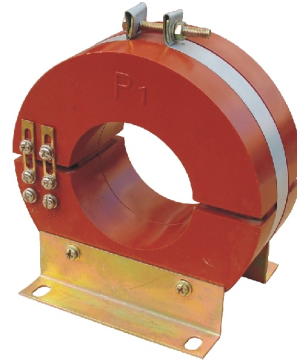


LXK Cable Type Zero Sequence Current Transformer

Summary

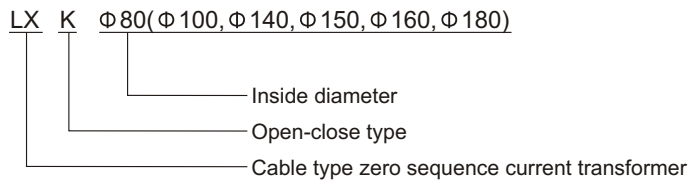
The LXK zero sequence current transformers are used in indoor environment, and provided for non-direct earthed neutral systems of rated frequency of 50/60 Hz and rated voltage of 35kV and below. The relay DD-11/60 or DD-1/60 matches with this model. The products meet standards IEC60044-1 and GB1208-2006. The products are used in metering electric energy, voltage controlling and relay protection applications.



Ambient condition

1. Ambient temperature: -5°C~40°C;
2. relative humidity: 85% or below at 20°C;
3. Altitude: ≤1000m;
4. Can be mounted in polluted indoor environment.

Model



Technical specification

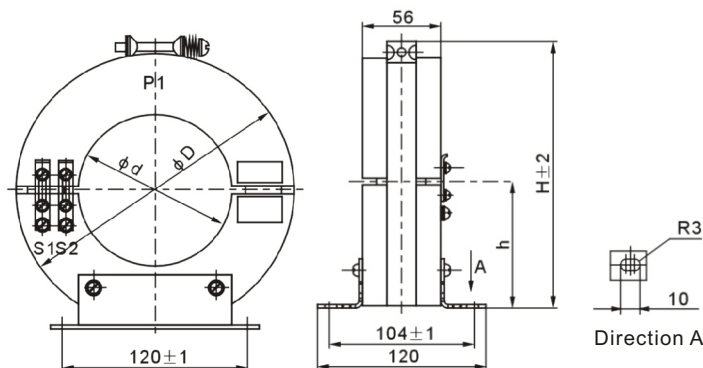
1. Because the primary main insulation is determined by the cable rather than the product itself, only the insulation level of secondary winding is tested. The secondary winding can withstand power frequency test voltage to earth of 3kV.
2. The sensitivity of the model of transformers complies with the following table.

Type of relay	Connection method of relay windings	Scales of relay (mA)	Primary zero sequence current (A)
DD-11/60	Series	15 × 1~30 × 1	2~5
	Parallel	15 × 2~30 × 2	
DD-1/60	Series	15 × 1~30 × 1	3~6
	Parallel	15 × 2~30 × 2	

Structure feature

The transformers are of open-close type and cast in epoxy resin. For installation, the transformers can be split in to two halves first, then combined in one set with bolt. It is convenient in installation. There are seven versions of this model, with different inside diameters: 80mm, 120mm, 140mm, 150mm, 160mm and 180mm.

Outline dimension



Type	ϕD	ϕd	H	h
LXK- $\phi 80$	160	80	175	82.5
LXK- $\phi 100$	180	100	195	92.5
LXK- $\phi 120$	200	120	215	102.5
LXK- $\phi 140$	220	140	235	112.5
LXK- $\phi 150$	230	150	245	117.5
LXK- $\phi 160$	240	160	255	122.5
LXK- $\phi 180$	260	180	275	132.5