

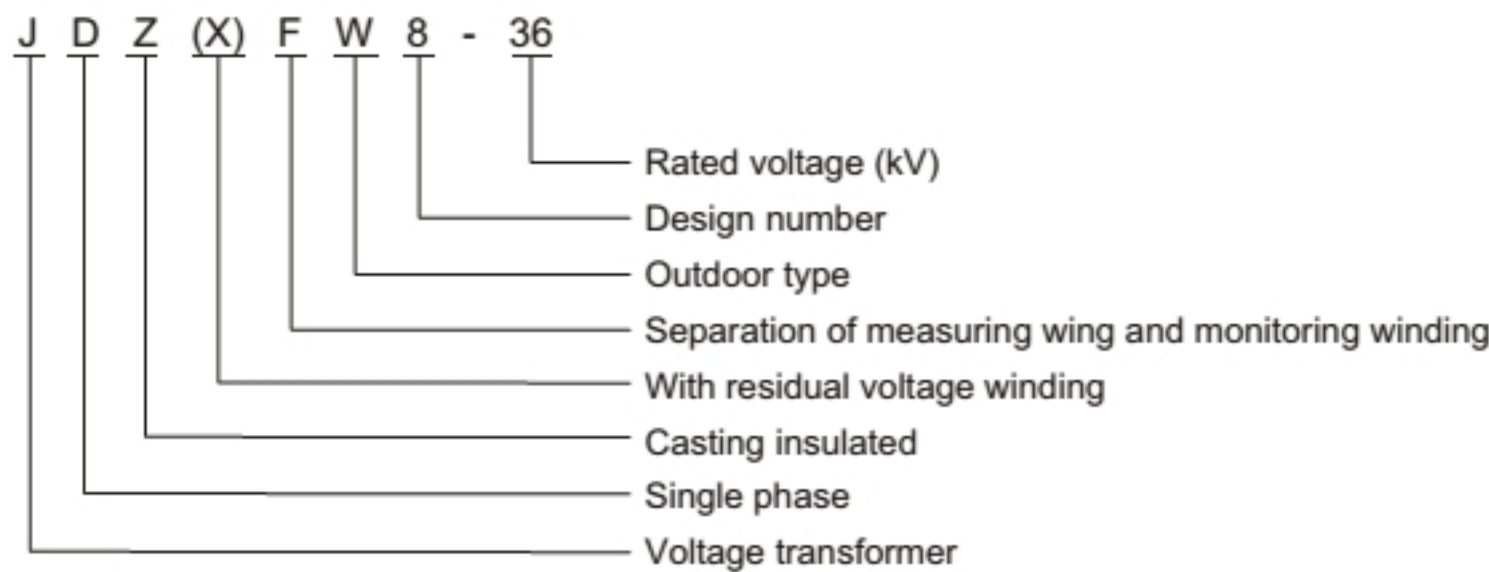
JDZ(X)(F)W8-36Q Voltage Transformer

Summary

This model of voltage instrument transformers includes four versions: JDZW8-36, JDZFW8-36, JDZXW8-36 and JDZXF8-36. The units are cast in epoxy resin and fully enclosed. The units are suitable for electric systems of rated frequency of 50/60Hz and rated voltage of 36kV and below. They are used in outdoor service conditions. The products are designed in accordance with Standards IEC60044-2 and GB1207-2006. The products are typically used in electric energy metering, voltage controlling and relay protection applications.



Model



Technical specification

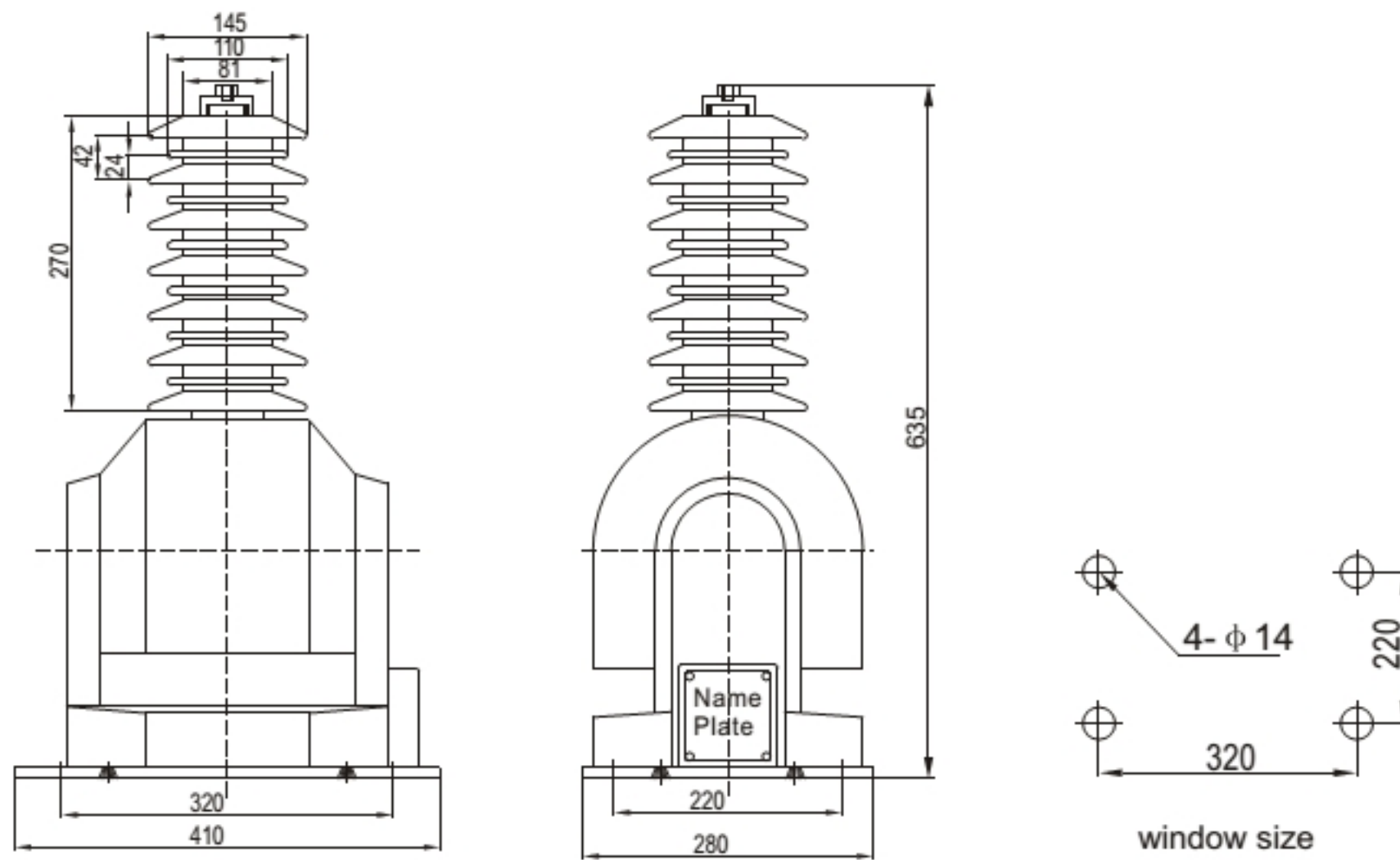
type	Rated voltage ratio (V)	Accuracy class and rated output (VA)			Limit output (VA)	Rated insulation level(kV)
		0.2	0.5	6P		
JDZW8-36	36000/100	75	150		1000	40.5/95/200
JDZFW8-36	36000/100/100	30	60			
JDZXW8-36	36000/ $\sqrt{3}$ /100/ $\sqrt{3}$ /100/3	50	100	100	2500	
JDZXF8-36	36000/ $\sqrt{3}$ /100/ $\sqrt{3}$ /100/ $\sqrt{3}$ /100/3	25	50	100		

Structure feature

- The units are cast in epoxy resin and fully enclosed.
- Excellent in withstanding overload and resistance of electric arc / UV.
- Long life expectancy, long creepage distance, low in partial discharge.
- Transformer core and windings are cast together. A base plate is equipped at the bottom of transformer.
- The version JDZW8-36 and JDZFW8-36 are single-phase and connected in phase to phase.
- JDZW8-36 units have two secondary windings, one electric energy metering and the other for voltage monitoring.
- The version JDZX (F) W8 (including JDZXW8-36 and JDZXF8-36) units are single-phase and connected in phase to earth. The primary terminal A is connected to phase wire, and terminal N is earthed.
- JDZXWF8-36 version has three secondary windings. These windings are respectively used for voltage monitoring, electric energy metering or relay protection.
- Secondary winding should not be short circuited or over-load.
- JDZXW8-36 and JDZXF8-36 are in semi-insulated structure. Thus, they can not be tested on other items than inductive voltage. When Switch is tested on power frequency, it should be cut off from transformer.

Outline dimension

JDZXF8-36 Outline dimension



JDZFW8-36 Outline dimension

